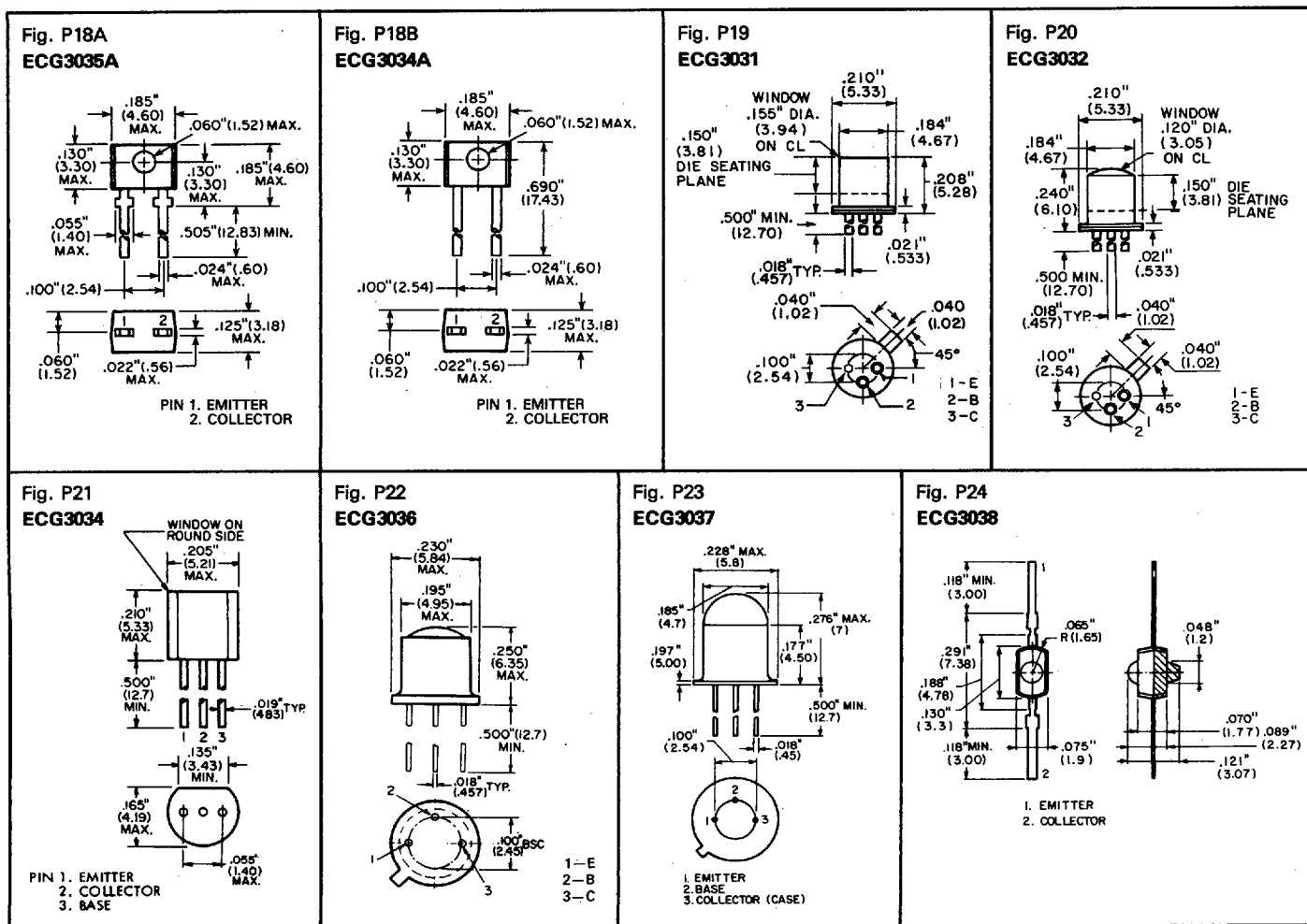


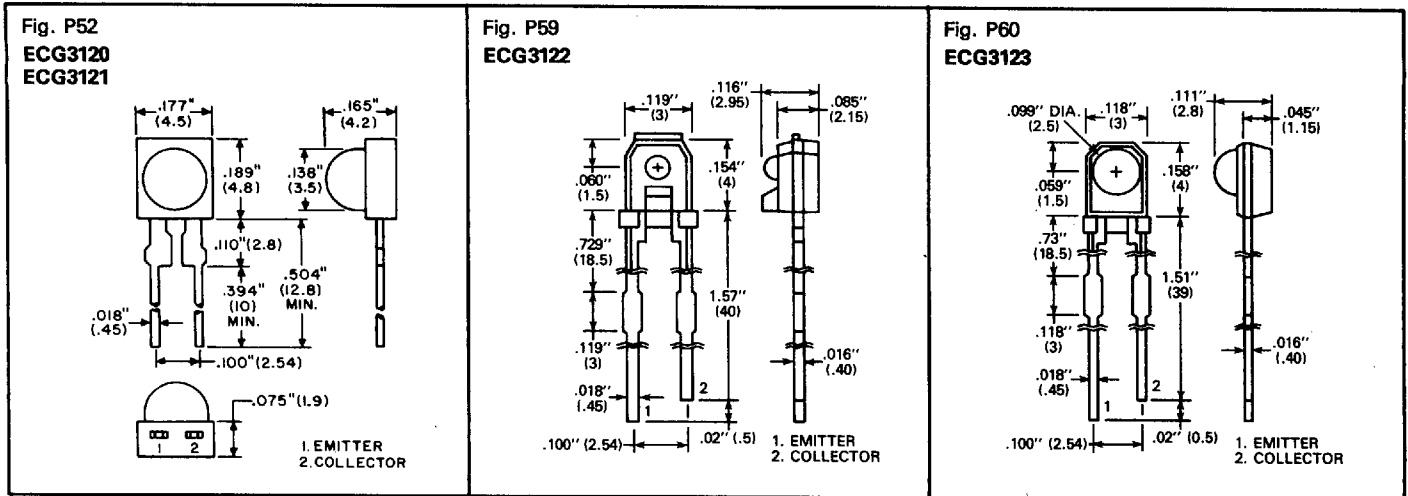
# Phototransistor Detectors

ECG Type	Description	Collector to Base Voltage BV <sub>CEO</sub> (V)	Max Collector Current I <sub>c</sub> (mA)	Max Dark Current I <sub>D</sub> at 25°C (nA)	Min Light Current I <sub>L</sub> (mA)	Max Power Dissipation at 25°C P <sub>t</sub> (mW)	Rise Time t <sub>r</sub> (μS)	Fig. No.
ECG3031	NPN, Si, Visible and IR	80	40	20 at VCE 5V	6	200	2 Typ	P19
ECG3032	NPN, Si, Visible and IR	80	40	20 at VCE 5V	12	200	2 Typ	P20
ECG3034A	NPN, Si, Visible and IR	30 (V <sub>CEO</sub> )	100	100 at VCE 10V	.7	150	---	P18B
ECG3035A	NPN, Si-Darlington Amp h <sub>fe</sub> = 2.0 K, Visible and IR	60	100	100 at VCE 10V	5	150	75	P18A
ECG3036	NPN, Si-Darlington, Visible and IR	40	250	100 at VCE 10V	12	250	40 Typ	P22
ECG3037	NPN, Si, Visible and IR	50	50	500 at VCE 30V	10	150	2 Typ	P23
ECG3038	NPN, Si-Darlington, Visible and IR	25	20	20 at VCE 10V	5	50	1.5 Typ	P24
ECG3120	NPN, Si, Visible and IR	20 (V <sub>CEO</sub> )	20	500 at VCE 10V	1	100	10 Max	P52
ECG3121	NPN, Si, Darlington Visible and IR	20 (V <sub>CEO</sub> )	30	500 at VCE 10V	.5	100	100 Typ	P52
ECG3122	NPN, Si, Darlington, IR, Visible Cut-off, Narrow Acceptance	35 (V <sub>CEO</sub> )	50	1 μA at VCE 10V	1.5	75	80	P59
ECG3123	NPN, Si, Darlington, IR, Visible Cut-off	35 (V <sub>CEO</sub> )	50	1 μA at VCE 10V	.2	75	80	P60

## Phototransistor Detector Outlines



# Phototransistor Detector Outlines (cont'd)

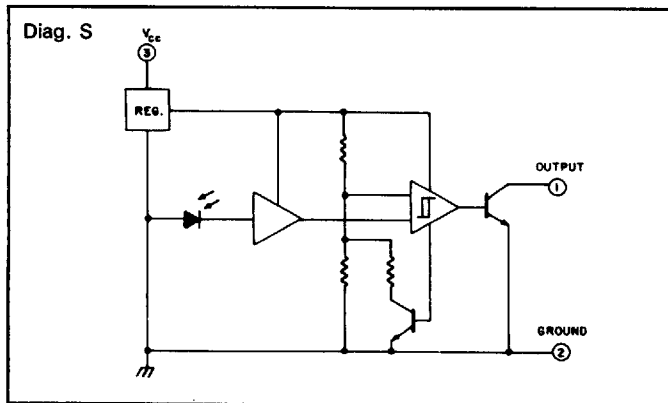


## Opto-Electronic Switch — Day/Night Sensing

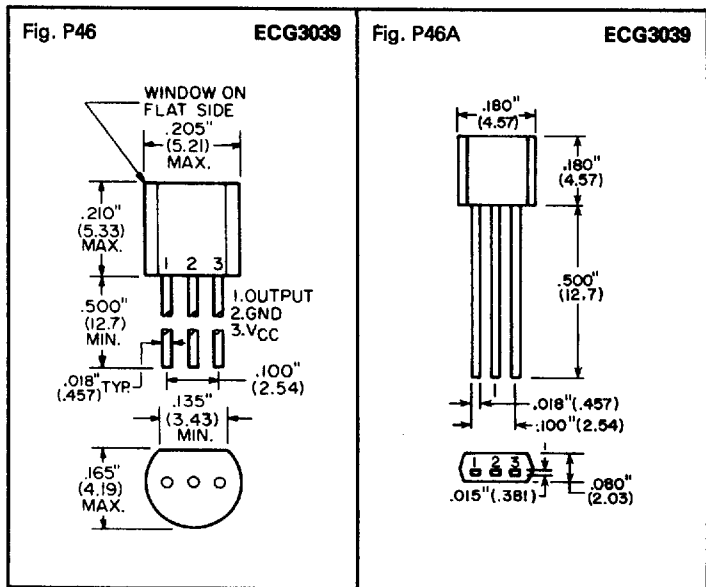
ECG Type	Description	Max Ratings				Typical Ratings		Ckt Diagram	Fig.* No.
		Supply Voltage Vcc (V)	Output Voltage VOUT (V)	Output Current IOUT (mA)	Power Diss. PD (mW)	Light Threshold ON EON (Lumens/Ft <sup>2</sup> )	Light Threshold OFF EOFF (Lumens/Ft <sup>2</sup> )		
ECG3039	Light/Dark Electronic Switch	15	15	50	750	5.0	5.9	S	P46 P46A

\* May be shipped in either case style.

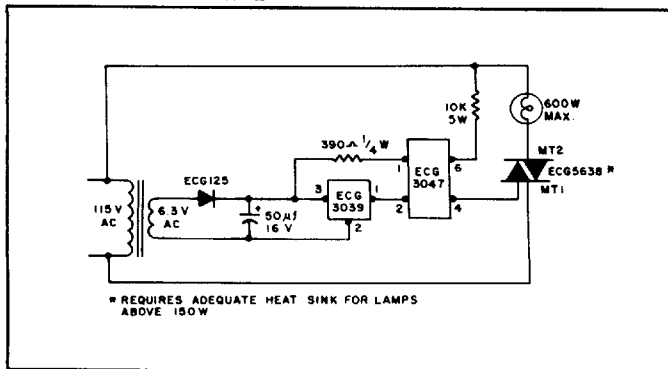
### Circuit



### Outlines



### Typical Application



6653928 0009257 427