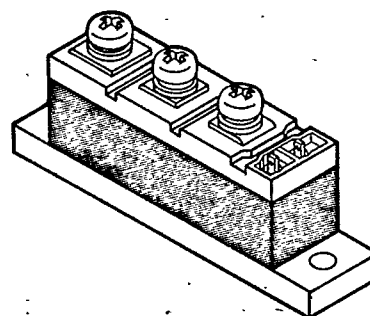


Industrial Power Modules

Thyristor Modules

Circuit No.	ECG No.	ECG No.
1	5710	5720
2	5711	5721
3	5712	5722
I_T(AV)*	65 A	95 A
I_T(RMS)*	120 A	150 A
VDRM	1200 Volts	1200 Volts
V _F	1.45 Volts	1.34 Volts
I _H	250 mA	250 mA
I _{TSM} (1 Cycle)	1500 A	1900 A
i ² T	9300 A ² sec	15000 A ² sec
RTHCS	.08 °C/W	.08 °C/W
T _J (Max)	+ 125 °C	+ 140 °C
dv/dt	200 V/μsec	200 V/μsec
T _q	150 μsec	150 μsec
V _{GT} (Max)	1.5 Volts	1.5 Volts
I _{GT} (Max)	200 mA	200 mA
P _{GT} (Max)	20 W	20 W
Terminal Torque	35-50 In. Lb.	35-50 In. Lb.

* Per SCR or Rectifier

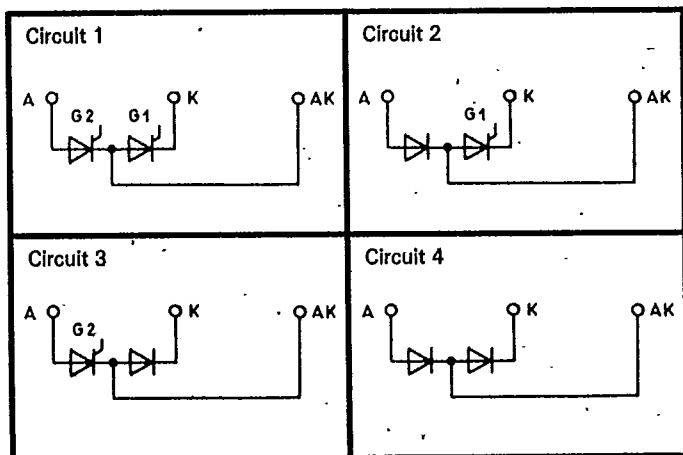


Rectifier Modules

Circuit No.	ECG No.	ECG No.
4	6220	6230
I_F(AV)*	65 A	95 A
I_F(RMS)*	105 A	150 A
VDRM	1200 V	1200 V
I _{FSM} (1 Cycle)	1000 A	3600 A
i ² T	5000 A ² sec	6500 A ² sec
V _F	1.25 V	1.15 V
T _J (Max)	150 °C	150 °C
RTHCS	.08 °C/W	.08 °C/W
Terminal Torque	35-50 In. Lb.	35-50 In. Lb.

* Per Rectifier

Phase Control Thyristor and Rectifier Circuits



Module Outline

