

HV Rectifiers (Silicon Industrial/Microwave Oven)

ECG Type	Minimum Breakdown Voltage VB	Maximum Surge Current (Nonrep.) IFSM A	Average Output Current IO mA	Maximum Forward Voltage Drop VFM V	Maximum Reverse Leakage Current IRM μA	Fig. No.
ECG517	15 kV at 1 μA	30	350 at TA 55°C	14 at 350 mA	1.0 at 12 kV	H49A
ECG540	12 kV at 100 μA	25	500 at TC 65°C	--	1.0 at 5 kV	H26
ECG542	15 kV at 10 μA	50	350 at TA 50°C	13.5 at 350 mA	1.0 at 12 kV	H28
ECG544	12 kV at 1 μA	25	500 at TA 40°C	12 at 500 mA	10 at 8 kV	H30
ECG548	12 kV at 100 μA	250	750 at TC 50°C	14 at 750 mA	1.0 at 10 kV	H34

Fig. H26
ECG540

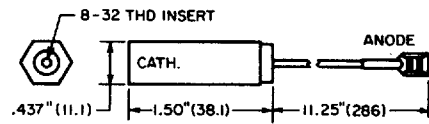


Fig. H28
ECG542

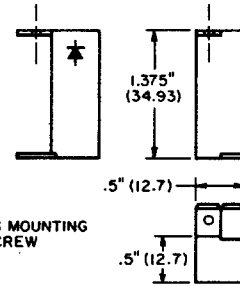


Fig. H30
ECG544

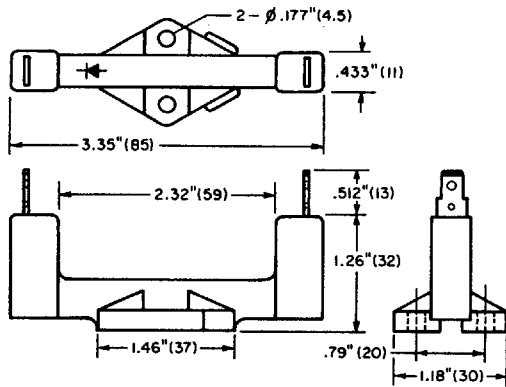


Fig. H34
ECG548

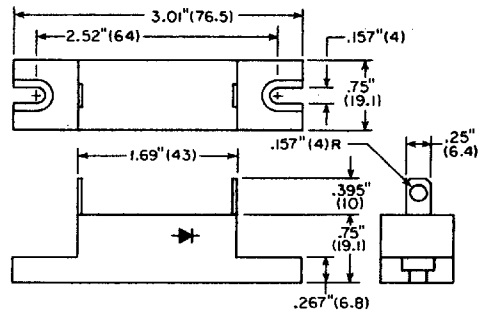


Fig. H49A
ECG517

